



All Kinds Of Pressure Gauge & Thermometers

LIQUID FILLED PRESSURE GAUGES

Outline :

All series are liquid-filled.

Waterproof, shock resistant, and closed structures are durable and accurate, good for long time running, Special materials of movement and bourdon tube have lasting durabilities.

it is applicable to the places of both strong fluctuation and non-corrosive fluid, such as steam, air , water, and oil.

Features :

Model : 100-L-A , 100-L-UD , 100-L-BD

Type : Pressure gauge, Vacuum gauge, Compound gauge.

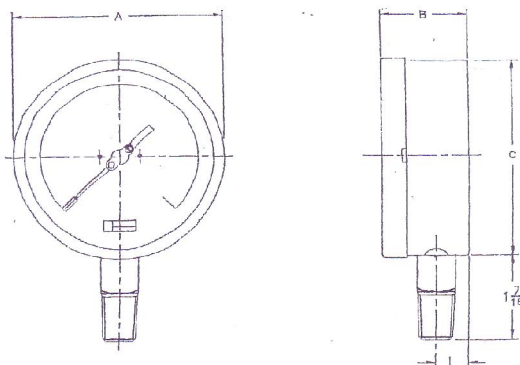
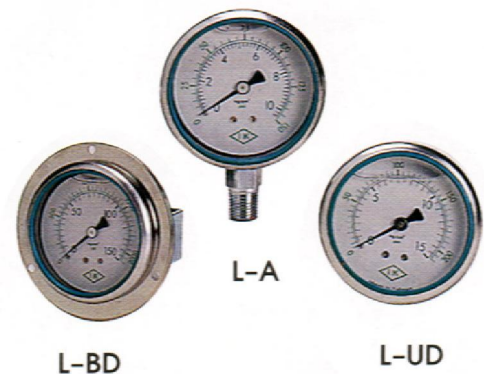
Nominal Size : 100 mm.

Tubing : Brass or Phosphor Bronze (upon request)

Movement : Brass

Accuracy : +/-1% F.S. (Read ANSI-B40.1 1985)

Scale : psi,bar,kPa, Mpa, Kg/cm² etc, (Single or Dual Scale)



DIMENSIONS	A	B	C	L
INCHES	4 ¹ / ₁₆	1 ¹ / ₁₆	3 ³ / ₁₆	1 ¹ / ₁₆
MILLIMETERS	110	49	100	17

NOTE: ALL DIMENSIONS ARE APPROXIMATE

SIZE	1-1/2", 2", 2-1/2", 3", 4", 6"
CASE	STAINLESS STEEL AISI 304
RANGE	0~1kg/cm ² - - - - 0~700kg/cm ²
	0~15psi - - - - 0~10000psi
MOVEMENT	BRASS OR STAINLESS STEEL 304
CONNECTION	1/8", 1/4", 3/8", 1/2" NPT, BSP
BOURDON TUBE	BRASS OR STAINLESS STEEL 304 OR 316